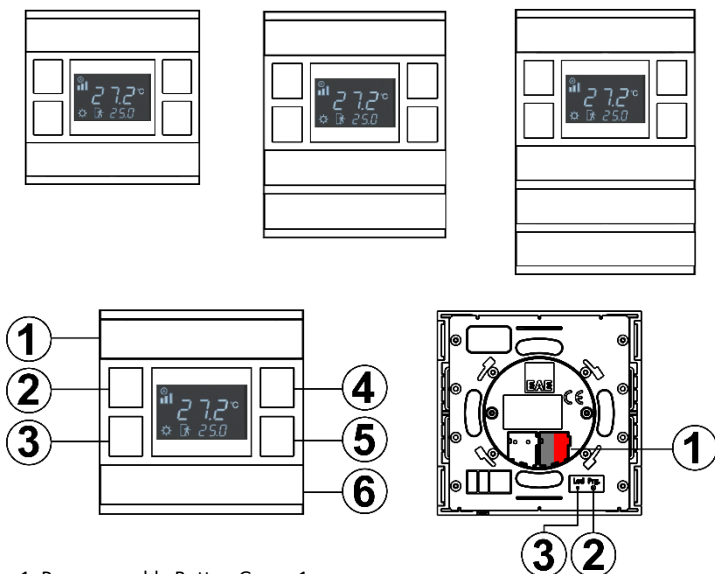


Operation and Display



1. Programmable Button Group 1
2. Fan Speed (1, 2, 3, Auto)
3. Operation Mode (Comfort, Night, Away, OFF)
4. Setpoint Temperature Up
5. Setpoint Temperature Down
6. Programmable Button Group 2

1. KNX Port Terminal
2. Programming Button
3. Programming LED

Description of the Device

- Temperature Adjustment on Digital LCD
- Integrated Temperature Sensor (°C/ °F)
- Integrated Humidity Sensor
- Fan Speed Adjustment (1, 2, 3, Auto)
- Different Operation Modes (Comfort, Night, Away, OFF)
- Fully Automatic Function Mode (hot-cold transition)
- Control Flexibility for all HVAC units including VRF-VRV and AC
- PI rational, PI on-off (PWM), On/Off, Fan coil, Split unit controls
- Easy mount into 60x60 mm standard switch junction boxes
- Up to 4 fold (8 buttons) buttons can be programmed individually

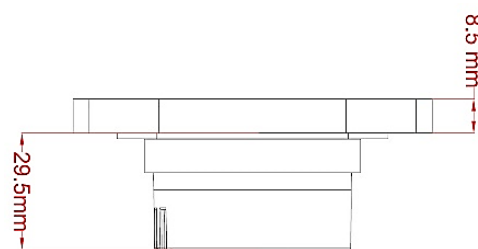
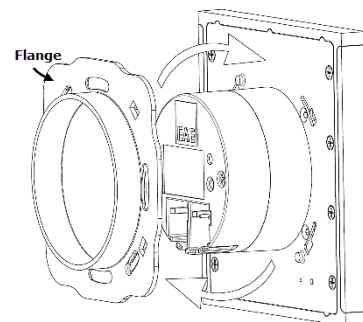
- Switching
- Dimming
- Shutter/Blind
- Value
- Scene control
- Status

Technical Data

Type of protection	IP 20	EN 60 529
Safety class	II	EN 61 140
KNX Supply ⁽¹⁾	Voltage	21 V... 30 V DC SELV
	Current Consumption	≤ 10 mA
Connections	KNX	Bus connection terminal
Installation	60x60 mm standard box	
Temperature range	Ambient	-5° C +45° C
	Storage	-25° C +55° C
	Measurement accuracy	±0,3 °C
Humidity	Max. air humidity condensation	95 % no moisture
Dimensions	Front face (2 fold)	90x90 mm
	Front face (3 fold)	90x112 mm
	Front face (4 fold)	90x133 mm
	Side- Surface of plaster	8,5 mm
	Side- Under plaster	29,5 mm
Box	Plastic, polycarbonate	
CE	In accordance with the EMC guideline and low voltage	
Application Program	Communication Object	50
	Number of Addresses(max)	254
	Number of assignments(max)	255

Installation

Installation of the product is done with the help of the flange which is inside the box. The flange is fixed to the junction box by using screws while the arrows on flange are headed to up. The switch is placed into the junction box by positioning the EAE logo upwards and then reclining it to the flange. The switch is slowly turned clockwise to give the right position to it on the flange. After the clicks are on the right position, switch is turned counter-clockwise to lock it on the flange.



Commissioning

Device default physical address is 15.15.255. Determination of the physical address and setting of parameters are actualized with Engineering Tool Software (ETS5 or higher). ".knxprod" file must be imported to the ETS. (<http://www.eaetechnology.com/>)

i A detailed information about parameter configuration can be found in Product Manual of device.

! Installation and commissioning of device may only be implemented by trained electricians. The relevant standards, directives, regulations and instructions must be observed when planning and implementing the electrical installation.

-Protect the device against moisture, dirt and damage during transport, storage and operation!

-Do not operate the device out of the specified technical data which is stated.

-The device may only be operated in closed enclosures (Distribution boards)

Cleaning

If device becomes dirty, only a dry cloth can be used for cleaning. It is not suitable to use wet cloths, caustics and solvents.