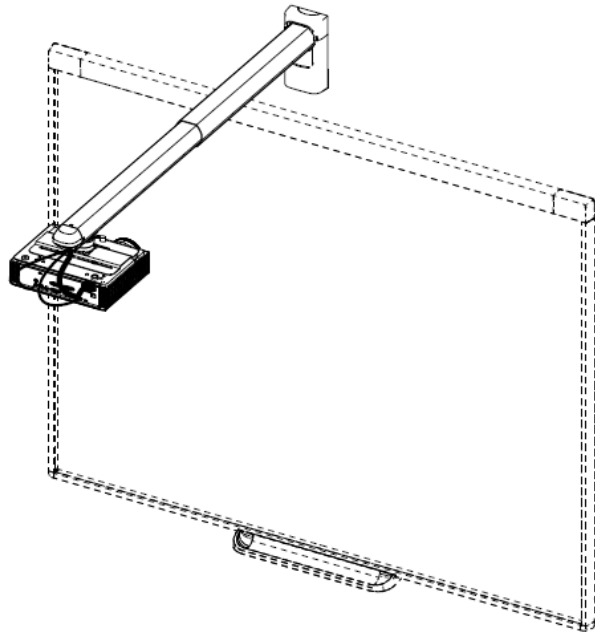


# SMART<sup>®</sup>



## *Service Parts Diagrams*

**For Model:  
V30-PJR**

## Service Parts Diagrams Revision History

### Revision 1 - October, 2014

- New document

### Standard Warranty Terms

The projector has a three-year limited equipment warranty. The V30 projector lamp has a 3000-hour/three-year warranty.

First Customer Ship: October, 2014

---

**SMART Technologies**

3636 Research Road NW

Calgary, AB T2L 1Y1

CANADA

Support +1.403.228.5940 or Toll Free 1.866.518.6791 (Canada/U.S.)

Support Fax +1.403.806.1256

[www.smarttech.com/contactserviceparts](http://www.smarttech.com/contactserviceparts) [www.smarttech.com](http://www.smarttech.com)



# Service Parts Diagrams for the V30-PJR

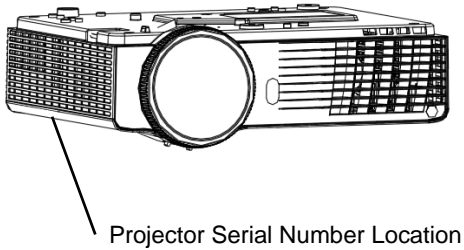
---

- Identifying Your Product Using the Serial Number ..... 1
- Ordering Parts ..... 1
- V30 Parts ..... 2
- Optional Projector Mounting Hardware Kit Assembly (Part No. 1013576) ..... 4



## Identifying Your Product Using the Serial Number

To make sure that you have the correct service parts diagrams, you must verify the serial number of your V30-PJR. When mounted, the projector serial number will be visible on the bottom of the projector. An example of the serial number format is shown below.



Unique Serial Number

**B011GI10T0175**

## Ordering Parts

### Customers

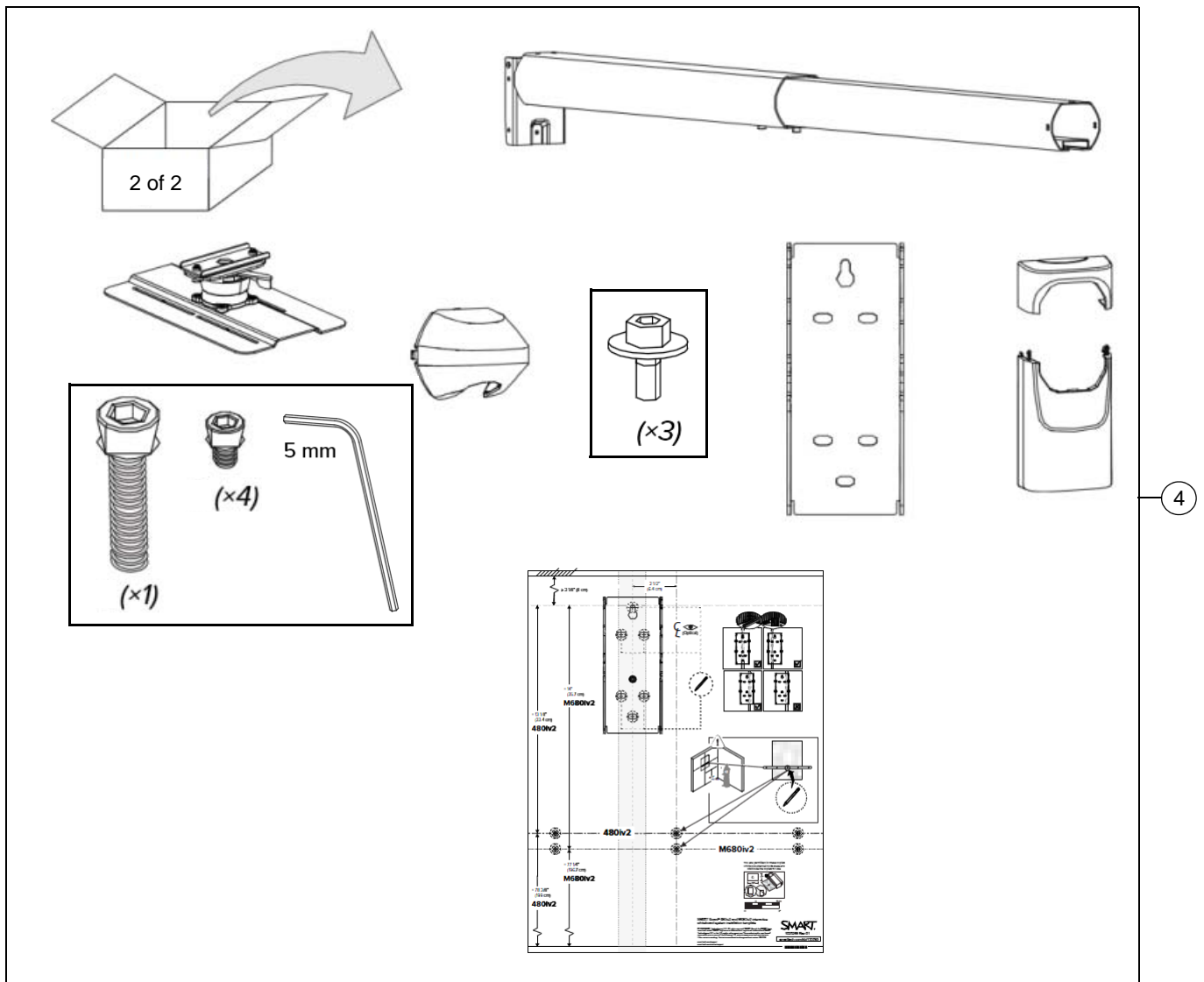
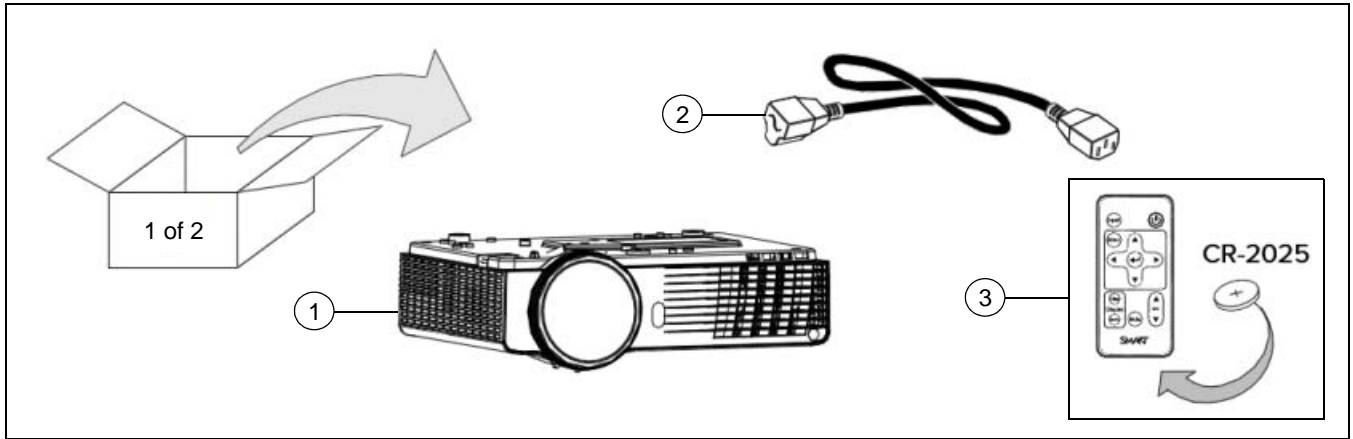
To order any of the parts in these service parts diagrams, contact your local reseller.  
To find a reseller near you, visit [www.smarttech.com/where](http://www.smarttech.com/where).

### Dealers and Distributors

For specific technical and pricing enquiries in regards to these diagrams please contact our service parts department.  
Pricing is also available on-line via the SOURCE website ([source.smarttech.com](http://source.smarttech.com)).

Web Form: [www.smarttech.com/contactserviceparts](http://www.smarttech.com/contactserviceparts)  
Phone: 1.888.42.SMART  
International: +1.403.245.0333

# V30 Parts



Item	Part No.	Qty	Description
1	FRU-V30-PJR	1	FRU, V30 projector only <b>NOTE:</b> Includes projector and item 3.
2	93-00630-20	1	Cable, power, North America, 14' 9" (4.5 m)
2	93-00632-20	1	Cable, power, United Kingdom, 14' 9" (4.5 m)
2	93-00631-20	1	Cable, power, Europe, 14' 9" (4.5 m)
2	93-00629-20	1	Cable, power, Australia, 14' 9" (4.5 m)
2	93-00634-20	1	Cable, power, Japan, 14' 9" (4.5 m)
2	93-00633-20	1	Cable, power, China, 14' 9" (4.5 m)
2	93-00670-20	1	Cable, power, Korea, 14' 9" (4.5 m)
2	1018969	1	Cable, power, Singapore, 14' 9" (4.5 m)
2	1018970	1	Cable, power, India, 14' 9" (4.5 m)
2	1018971	1	Cable, power, Saudi Arabia, 14' 9" (4.5 m)
2	1018972	1	Cable, power, Brazil, 14' 9" (4.5 m)
2	1025597	1	Cable, power, Argentina, 14' 9" (4.5 m)
2	1025598	1	Cable, power, South Africa, 14' 9" (4.5 m)
2	1025603	1	Cable, power, Chile and Italy, 14' 9" (4.5 m)
3	03-00131-20	1	Remote control <b>NOTE: Battery not included with replacement remotes.</b>
4	1025291	1	Assembly, Mounting System, V30 Projection System
Not shown	1025290	1	Replacement Lamp for V30 Projector

**Optional Projector Mounting Hardware Kit Assembly (Part No. 1013576)**

